

Clamping levers

PUSH to disengage

SPECIFICATION

Types

- Type **M**: Straight lever
- Type **N**: Angled lever

Steel
blackened

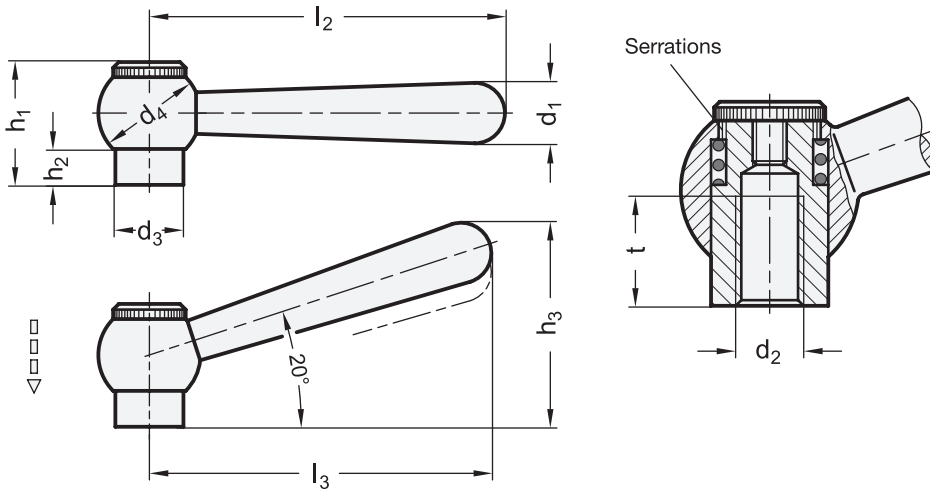
Version with threaded stud
Tensile strength class 5.8

INFORMATION

Clamping levers GN 99.2 are known for their small dimensions. They are for use in applications where either the clamping range is limited or where a specific lever position is required. The serrated bore in the spherical hub is fitted with a threaded bolt insert which engages in the hub with its own serrations.

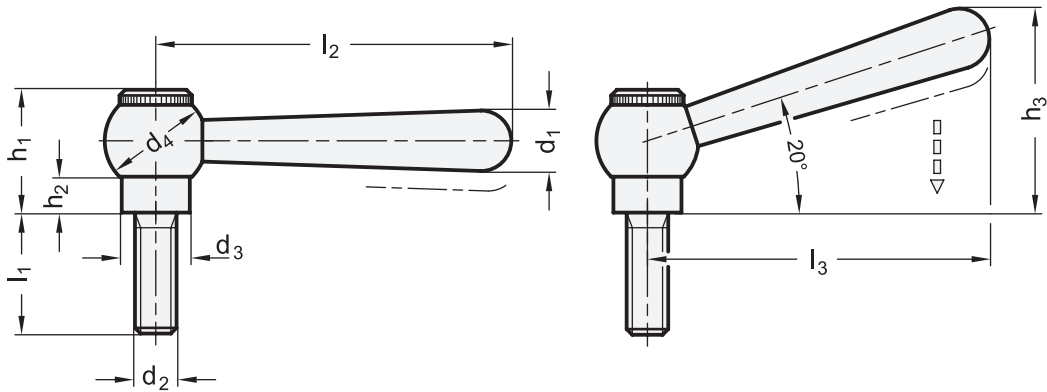
By depressing the clamping lever the serrations are disengaged freeing it for re-positioning in the most convenient position. When releasing the lever the serrations will re-engage automatically.

Should a rotation of 360° not be possible the insert can be slightly screwed in (after the lever has been disengaged) by means of the slotted knurled screw.



GN 99.2-with threaded insert

Description	d1	d2	d3	d4	h1	h2	h3 ≈	l2	l3 ≈	t min.	⚖
GN 99.2-10-M6-M	10	M 6	13.5	20	25	8	-	63	-	12	61
GN 99.2-10-M8-M	10	M 8	13.5	20	25	8	-	63	-	12	59
GN 99.2-13-M8-M	13	M 8	16	25	29	8	-	80	-	15	122
GN 99.2-13-M10-M	13	M 10	16	25	29	8	-	80	-	15	118
GN 99.2-16-M10-M	16	M 10	19	28	33.5	10.5	-	100	-	18	192
GN 99.2-16-M12-M	16	M 12	19	28	33.5	10.5	-	100	-	18	195
GN 99.2-10-M6-N	10	M 6	13.5	20	25	8	39.5	-	60	12	61
GN 99.2-10-M8-N	10	M 8	13.5	20	25	8	39.5	-	60	12	59
GN 99.2-13-M8-N	13	M 8	16	25	29	8	49.5	-	76	15	122
GN 99.2-13-M10-N	13	M 10	16	25	29	8	49.5	-	76	15	118
GN 99.2-16-M10-N	16	M 10	19	28	33.5	10.5	60.5	-	95	18	200
GN 99.2-16-M12-N	16	M 12	19	28	33.5	10.5	60.5	-	95	18	192



GN 99.2-with threaded stud

Description	d1	d2	l1	d3	d4	h1	h2	h3 ≈	l2	l3 ≈	⚖
GN 99.2-10-M8-20-M	10	M 8	20	13.5	20	25	8	-	63	-	69
GN 99.2-10-M8-25-M	10	M 8	25	13.5	20	25	8	-	63	-	71
GN 99.2-10-M8-32-M	10	M 8	32	13.5	20	25	8	-	63	-	73
GN 99.2-10-M8-40-M	10	M 8	40	13.5	20	25	8	-	63	-	75
GN 99.2-10-M8-50-M	10	M 8	50	13.5	20	25	8	-	63	-	81
GN 99.2-10-M8-63-M	10	M 8	63	13.5	20	25	8	-	63	-	85
GN 99.2-13-M10-20-M	13	M 10	20	16	25	29	8	-	80	-	130
GN 99.2-13-M10-25-M	13	M 10	25	16	25	29	8	-	80	-	130
GN 99.2-13-M10-32-M	13	M 10	32	16	25	29	8	-	80	-	143
GN 99.2-13-M10-40-M	13	M 10	40	16	25	29	8	-	80	-	147
GN 99.2-13-M10-50-M	13	M 10	50	16	25	29	8	-	80	-	153
GN 99.2-13-M10-63-M	13	M 10	63	16	25	29	8	-	80	-	159
GN 99.2-16-M12-25-M	16	M 12	25	19	28	33.5	10.5	-	100	-	220
GN 99.2-16-M12-32-M	16	M 12	32	19	28	33.5	10.5	-	100	-	226
GN 99.2-16-M12-40-M	16	M 12	40	19	28	33.5	10.5	-	100	-	232
GN 99.2-16-M12-50-M	16	M 12	50	19	28	33.5	10.5	-	100	-	238
GN 99.2-16-M12-63-M	16	M 12	63	19	28	33.5	10.5	-	100	-	247
GN 99.2-16-M12-80-M	16	M 12	80	19	28	33.5	10.5	-	100	-	250
GN 99.2-10-M8-20-N	10	M 8	20	13.5	20	25	8	39.5	-	60	65
GN 99.2-10-M8-25-N	10	M 8	25	13.5	20	25	8	39.5	-	60	71
GN 99.2-10-M8-32-N	10	M 8	32	13.5	20	25	8	39.5	-	60	73
GN 99.2-10-M8-40-N	10	M 8	40	13.5	20	25	8	39.5	-	60	75
GN 99.2-10-M8-50-N	10	M 8	50	13.5	20	25	8	39.5	-	60	81
GN 99.2-10-M8-63-N	10	M 8	63	13.5	20	25	8	39.5	-	60	85
GN 99.2-13-M10-20-N	13	M 10	20	16	25	29	8	49.5	-	76	137
GN 99.2-13-M10-25-N	13	M 10	25	16	25	29	8	49.5	-	76	139
GN 99.2-13-M10-32-N	13	M 10	32	16	25	29	8	49.5	-	76	140
GN 99.2-13-M10-40-N	13	M 10	40	16	25	29	8	49.5	-	76	147
GN 99.2-13-M10-50-N	13	M 10	50	16	25	29	8	49.5	-	76	153
GN 99.2-13-M10-63-N	13	M 10	63	16	25	29	8	49.5	-	76	159
GN 99.2-16-M12-25-N	16	M 12	25	19	28	33.5	10.5	60.5	-	95	220
GN 99.2-16-M12-32-N	16	M 12	32	19	28	33.5	10.5	60.5	-	95	226
GN 99.2-16-M12-40-N	16	M 12	40	19	28	33.5	10.5	60.5	-	95	232
GN 99.2-16-M12-50-N	16	M 12	50	19	28	33.5	10.5	60.5	-	95	238
GN 99.2-16-M12-63-N	16	M 12	63	19	28	33.5	10.5	60.5	-	95	247
GN 99.2-16-M12-80-N	16	M 12	80	19	28	33.5	10.5	60.5	-	95	250

